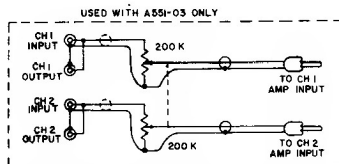
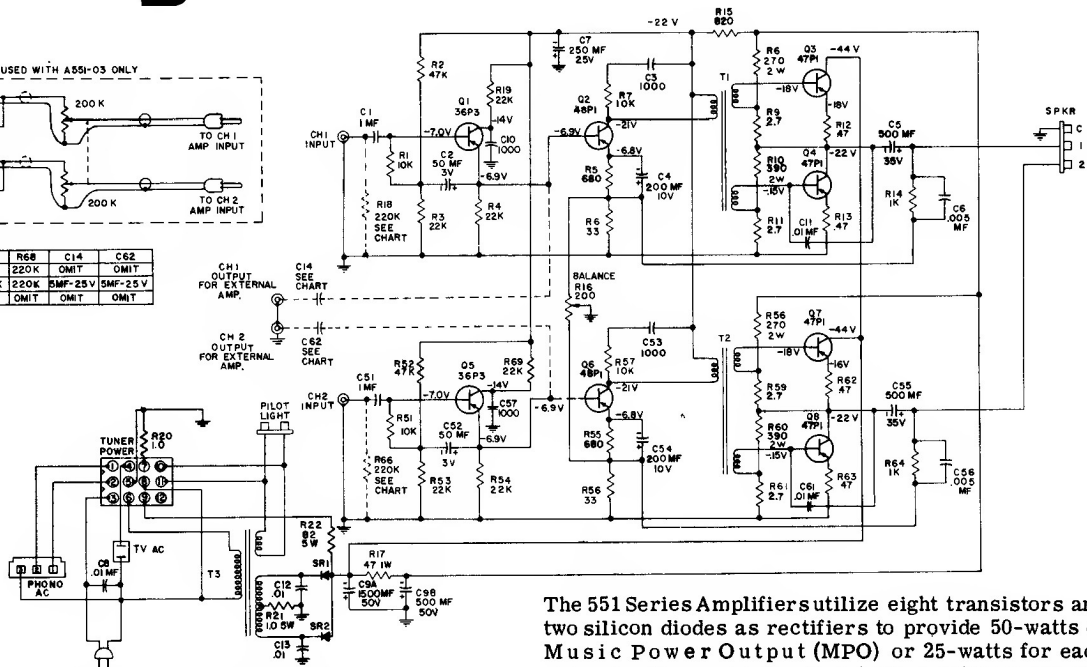


Magnavox

A551 SERIES AMPLIFIER



CHASSIS	R16	R68	C14	C62
A551-01	220K	220K	OMIT	OMIT
A551-02	220K	220K	5MF-25V	5MF-25V
A551-03	OMIT	OMIT	OMIT	OMIT



These amplifiers are the transformerless output type designed to use the speaker voice coil as the load. This type of circuit is quite common in transistor audio amplifiers. The voice coil impedance, therefore, plays an important part in the overall operation of the amplifier.

The 551 Series Amplifiers utilize eight transistors and two silicon diodes as rectifiers to provide 50-watts of Music Power Output (MPO) or 25-watts for each channel. Power is supplied from a 117VAC source. The power transformer is a step-down type designed to provide approximately 36 VDC @ 300MA after rectification by the two silicon diodes. These amplifiers are designed to work in conjunction with, and supply power for, a separate AM-FM transistor tuner.